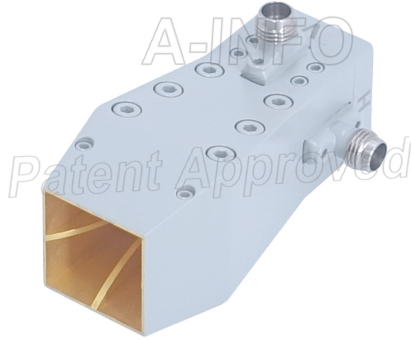


For reference only. See data sheet for the detailed specifications.

Technical Specification



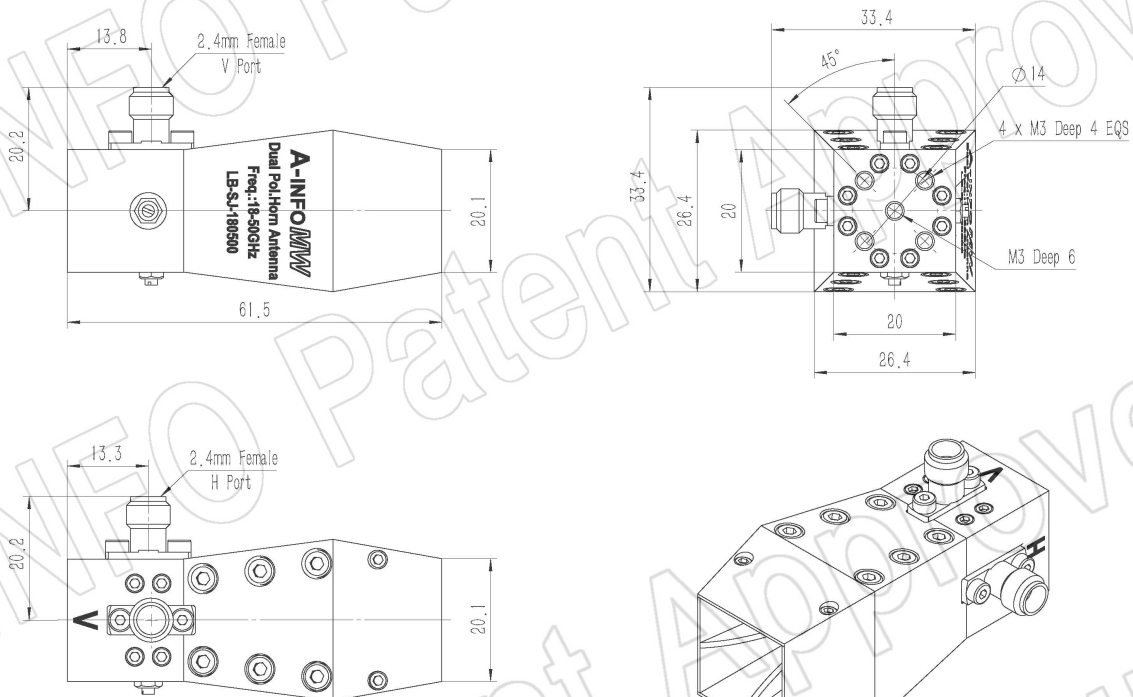
Frequency Range(GHz)	18.0 – 50.0	
Gain(dBi)	15 Typ.	
Polarization	Dual Linear	
3dB Beamwidth(deg)	E Plane:	44 - 19
	H Plane:	54 - 22
Cross Pol. Isolation(dB)	30 Typ. ; 20 Min.	
Port to Port Isolation(dB)	35 Typ. ; 25 Min.	
VSWR	1.5:1 Typ.	
	2.0:1 Max.	
Connector	2.4mm-Female or 1.85mm-Female	
Power Handling(W CW)	2.4mm-Female:	10 Max.
	1.85mm-Female:	5 Max.
Material	Al	
Finish	Gold Plated, Gray Paint	
Size(mm)	33.4 x 33.4 x 61.5	
Net Weight(Kg)	0.07 Around	

PATENT ID (US)
US D976881
PATENT ID (China)
ZL202110169216.0, ZL202120347928.2, ZL202030750673.5

Outline Drawing (Size: mm)

2.4mm-Female Output (P/N: LB-SJ-180500-2.4F)

For 1.85mm-Female output outline drawing, please contact A-INFO.


AINFO Inc.

 China(Beijing):
 China(Chengdu):
 USA :

 Tel: (+86) 10-6266-7326,
 Tel: (+86) 28-8519-2786,
 Tel: (+1) 949-639-9688,

 (+86) 10-6266-7327
 (+86) 28-8519-3044
 (+1) 949-639-9608

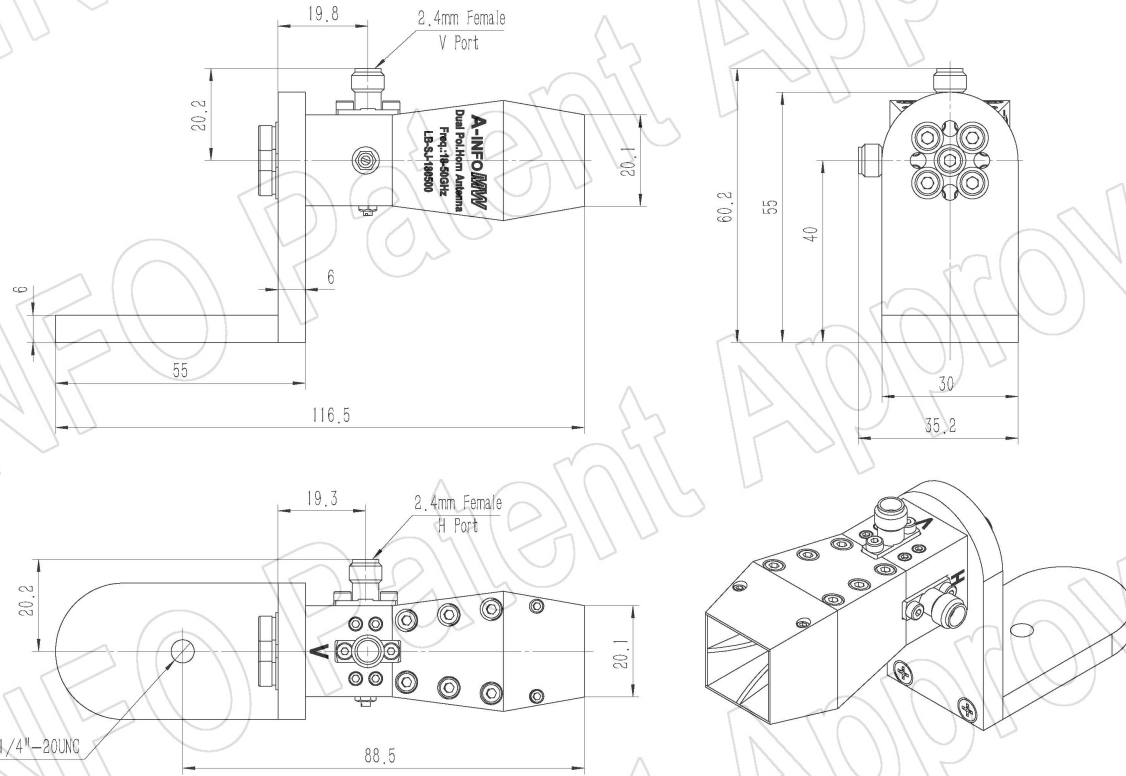
Page 1 of 17

 Fax: (+86) 10-6266-7379
 Fax: (+86) 28-8519-3068
 Fax: (+1) 949-639-9670

 Website: www.ainfoinc.com
 Email: sales@ainfoinc.com

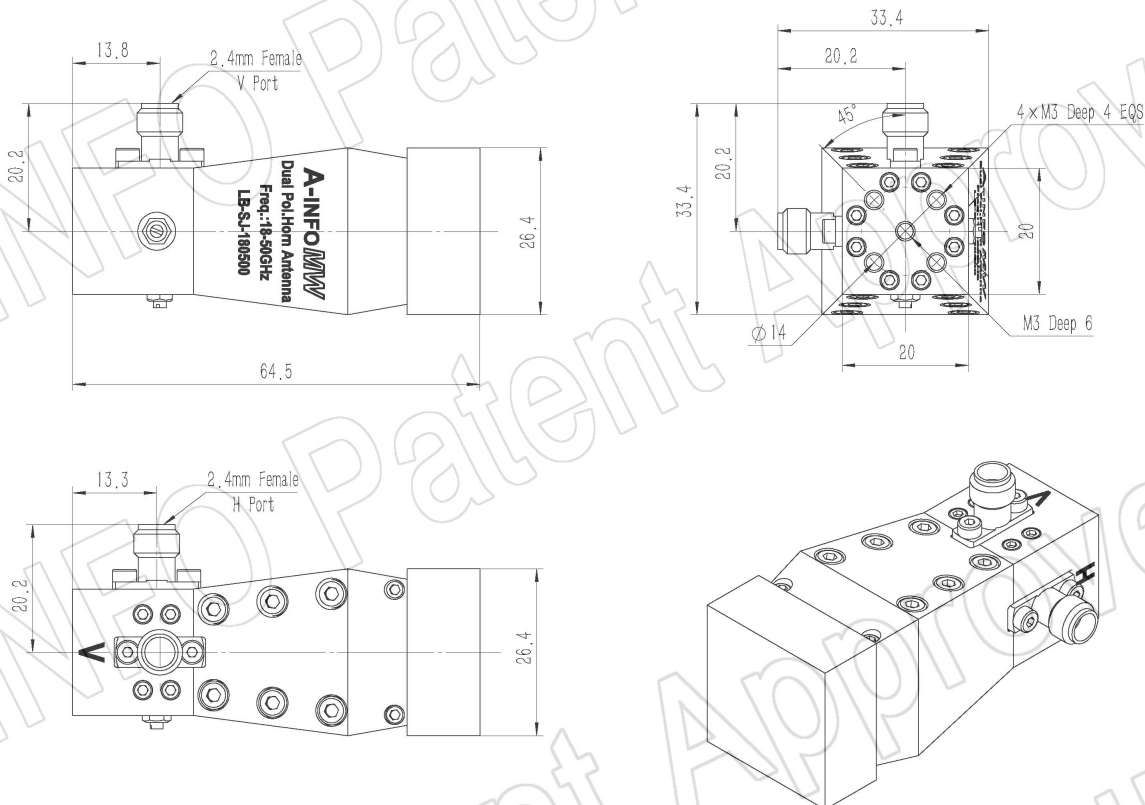
2.4mm-Female Output with L Type Mounting Bracket (Option, P/N: LB-SJ-180400-L)

For 1.85mm-Female output outline drawing, please contact A-INFO.



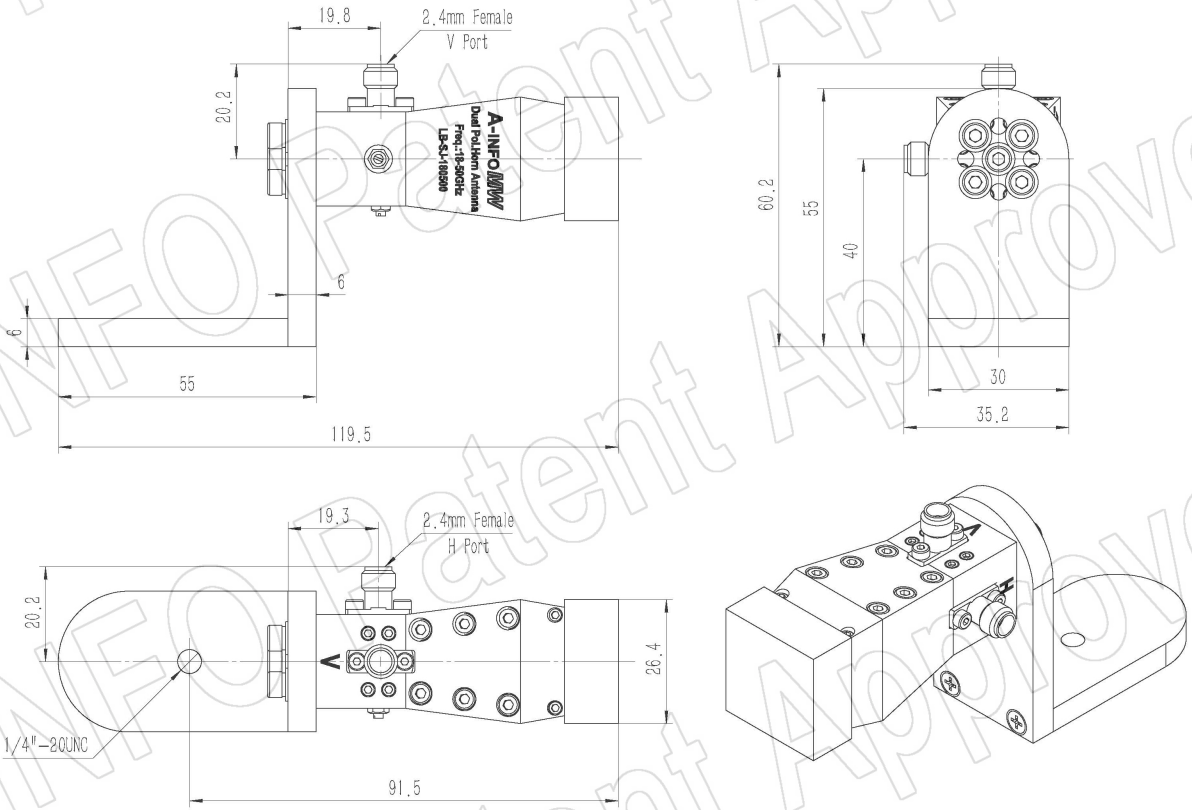
2.4mm-Female Output with Radome (Option, P/N: LB-SJ-180500-2.4FSP0, Outdoor Application)

For 1.85mm-Female output outline drawing, please contact A-INFO.



2.4mm-Female Output with L Type Mounting Bracket & Radome (Option, P/N: LB-SJ-180400-L & LB-SJ-180500-2.4FSPO, Outdoor Application)

For 1.85mm-Female output outline drawing, please contact A-INFO.



AINFO Inc.

China(Beijing):
 China(Chengdu):
 USA :

Tel: (+86) 10-6266-7326,
 Tel: (+86) 28-8519-2786,
 Tel: (+1) 949-639-9688,

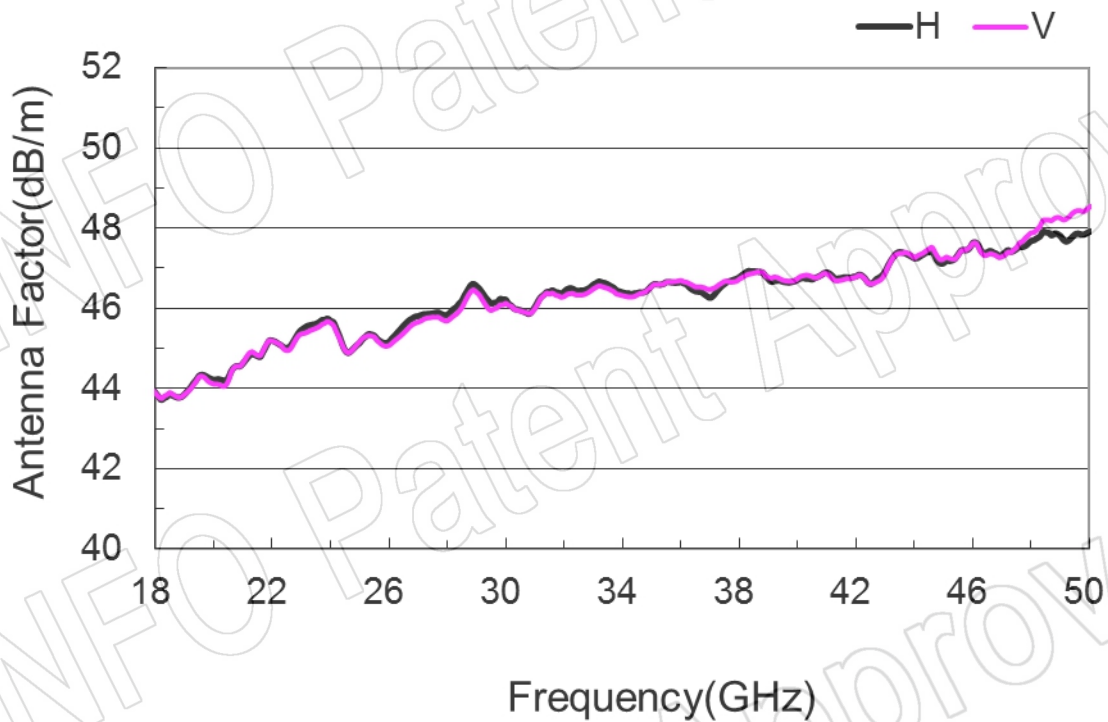
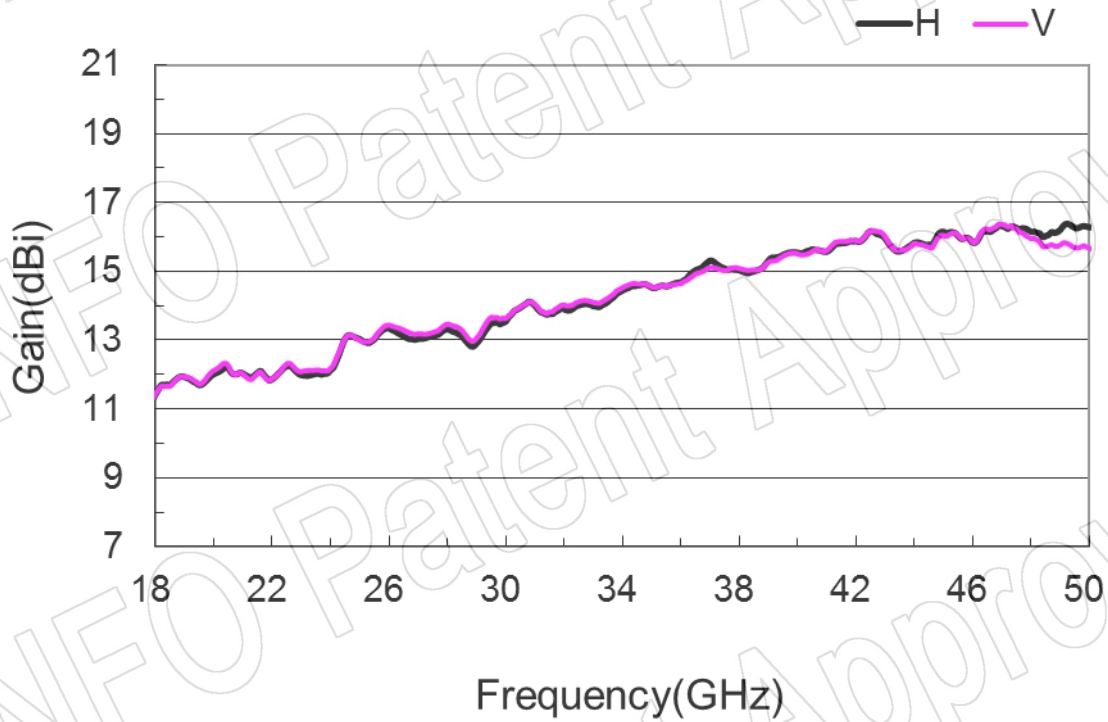
(+86) 10-6266-7327
 (+86) 28-8519-3044
 (+1) 949-639-9608

Fax: (+86) 10-6266-7379
 Fax: (+86) 28-8519-3068
 Fax: (+1) 949-639-9670

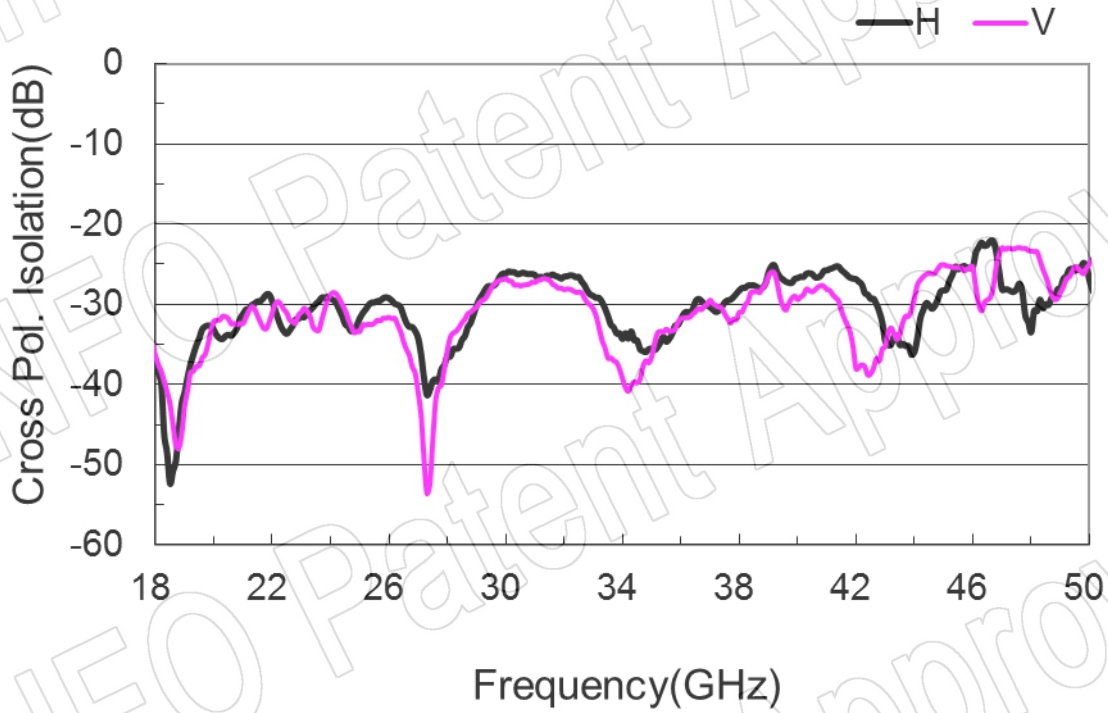
Website: www.ainfoinc.com
 Email: sales@ainfoinc.com

Test Results

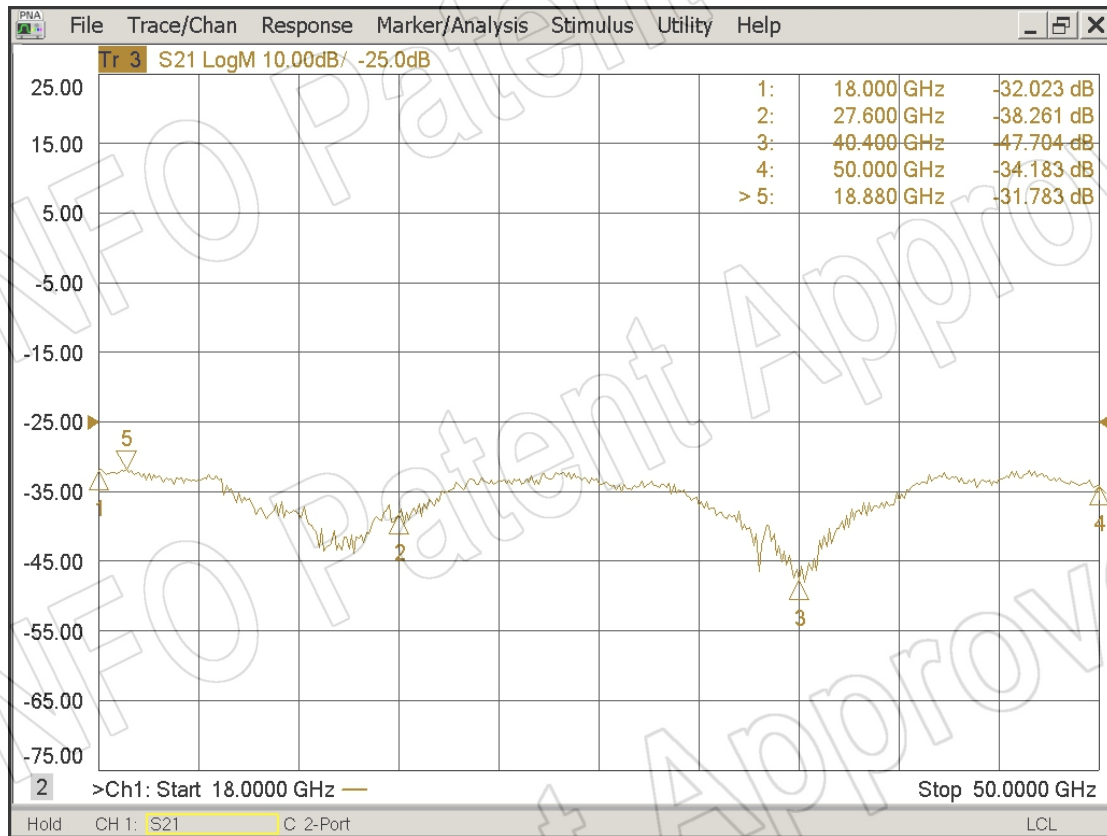
1. Gain & Antenna Factor



2. Cross Polarization Isolation

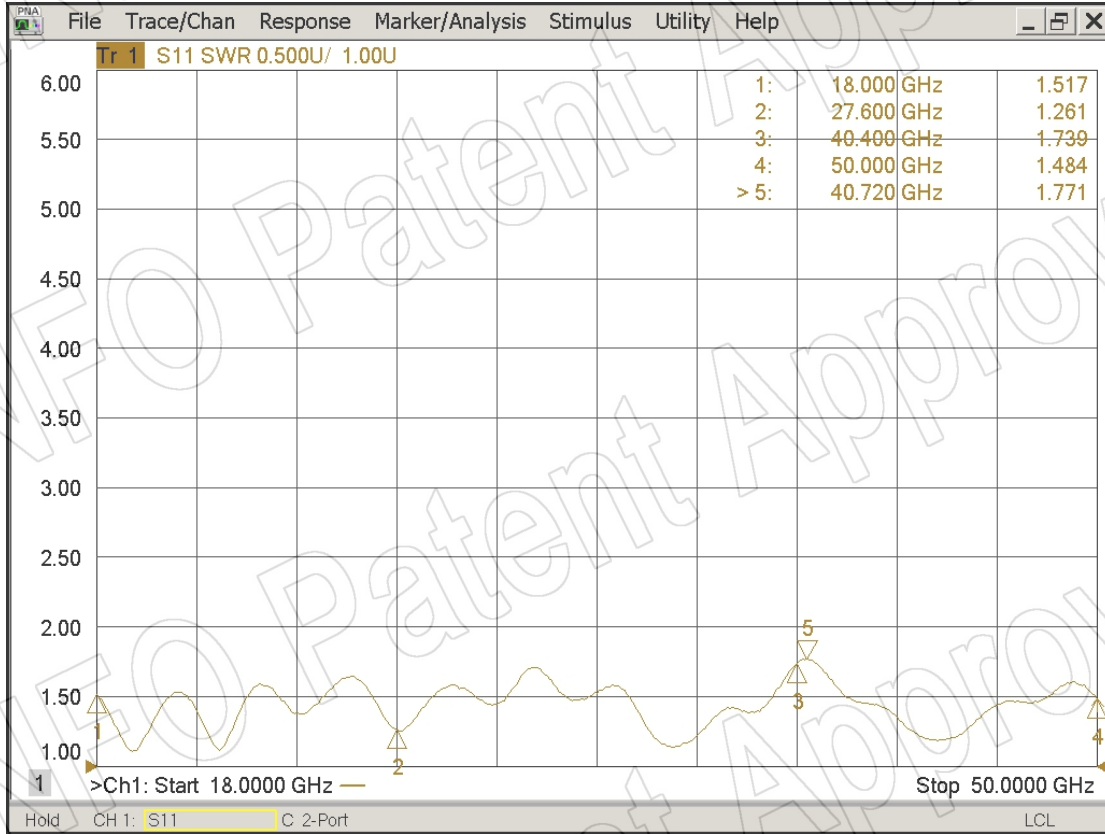


3. Port to Port Isolation

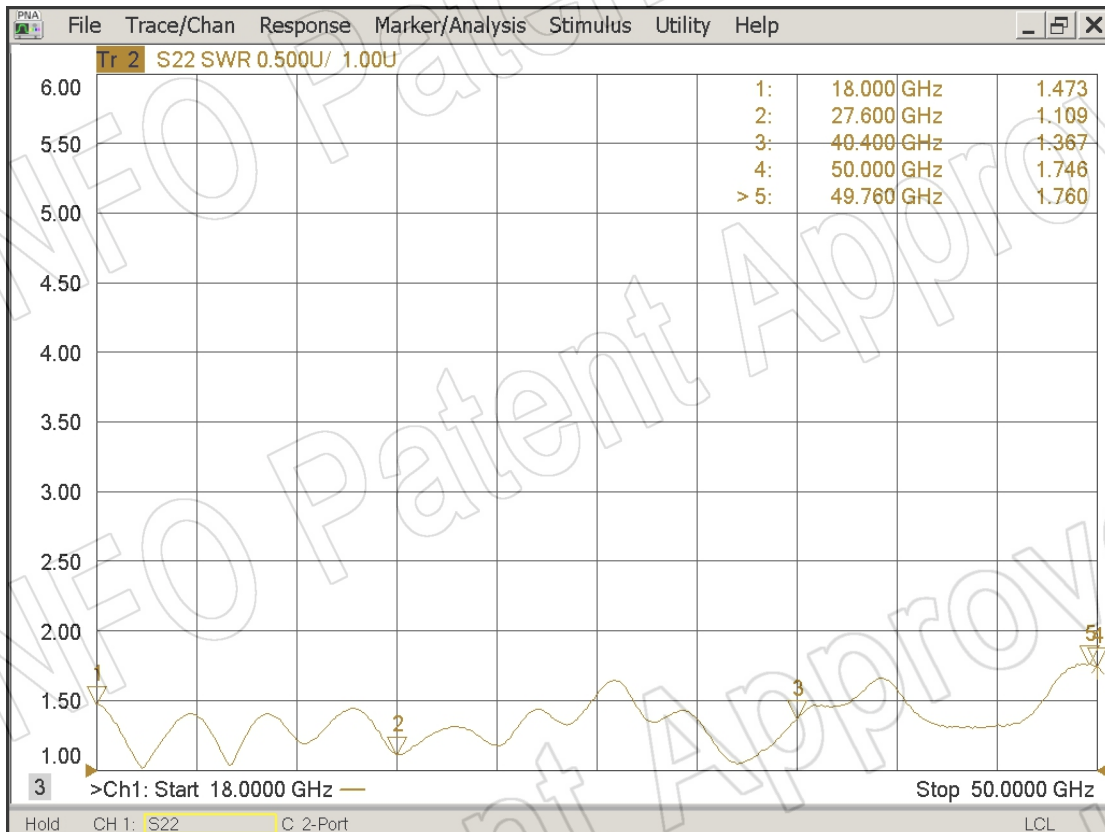


4. VSWR

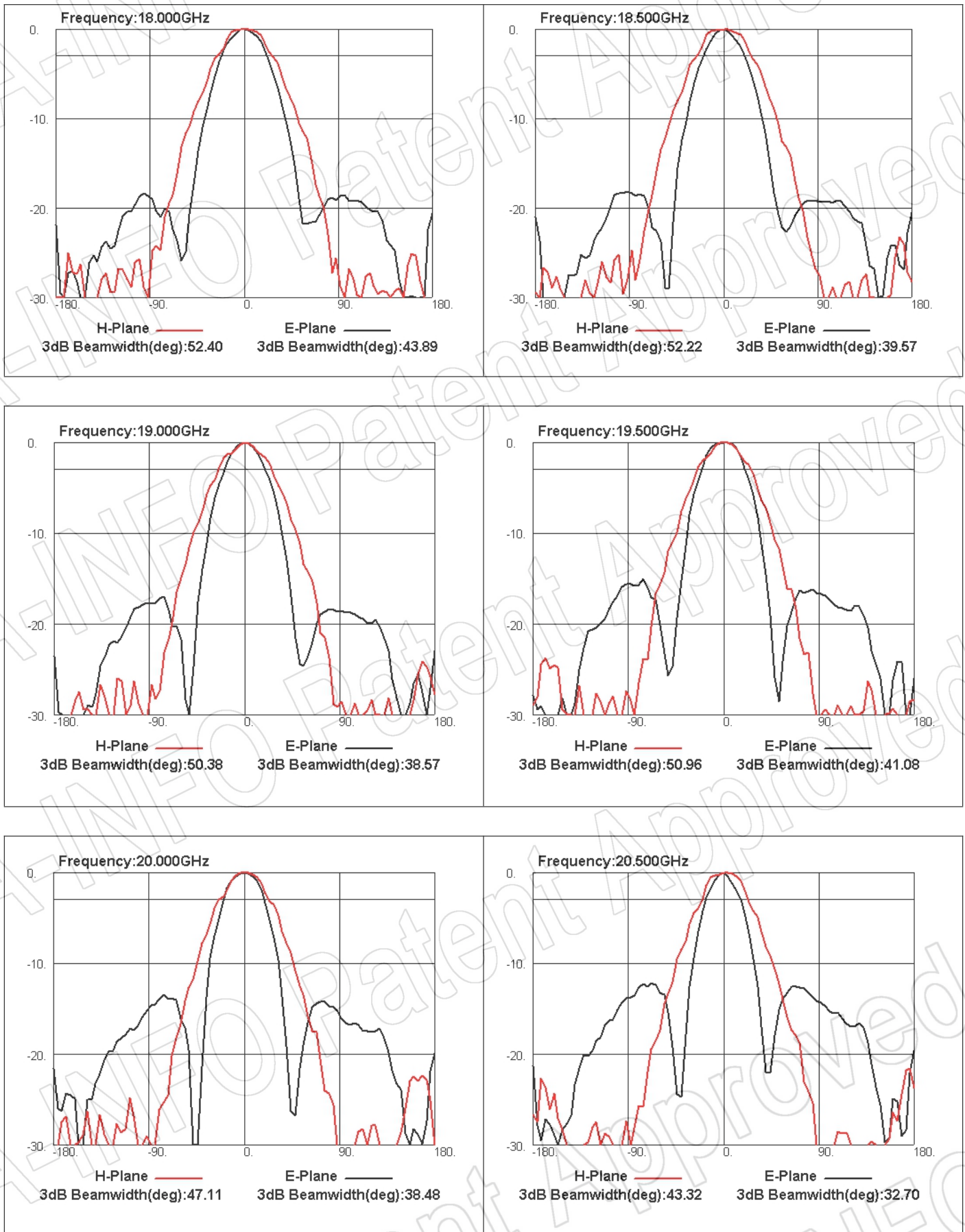
Port-H



Port-V



5. Pattern



AINFO Inc.

China(Beijing):
China(Chengdu):
USA :

Tel: (+86) 10-6266-7326,
Tel: (+86) 28-8519-2786,
Tel: (+1) 949-639-9688,

(+86) 10-6266-7327
(+86) 28-8519-3044
(+1) 949-639-9608

Fax: (+86) 10-6266-7379
Fax: (+86) 28-8519-3068
Fax: (+1) 949-639-9670

Website: www.ainfoinc.com
Email: sales@ainfoinc.com

